

G19 Series

Waterproof Seat Adjustment Switches



■Features

- Sealed design, IP67 protection level, applicable in different extreme environments;
- Multiple operating sticks and heights, could be tailored for different vehicle models;
- Tight structure, two-way or four-way switching accomplished;
- High-performance spring, high-sensitive switching and long service life;
- Invention patented products, Patent Number: 202221925967.7 202210879810.3

■Parameters

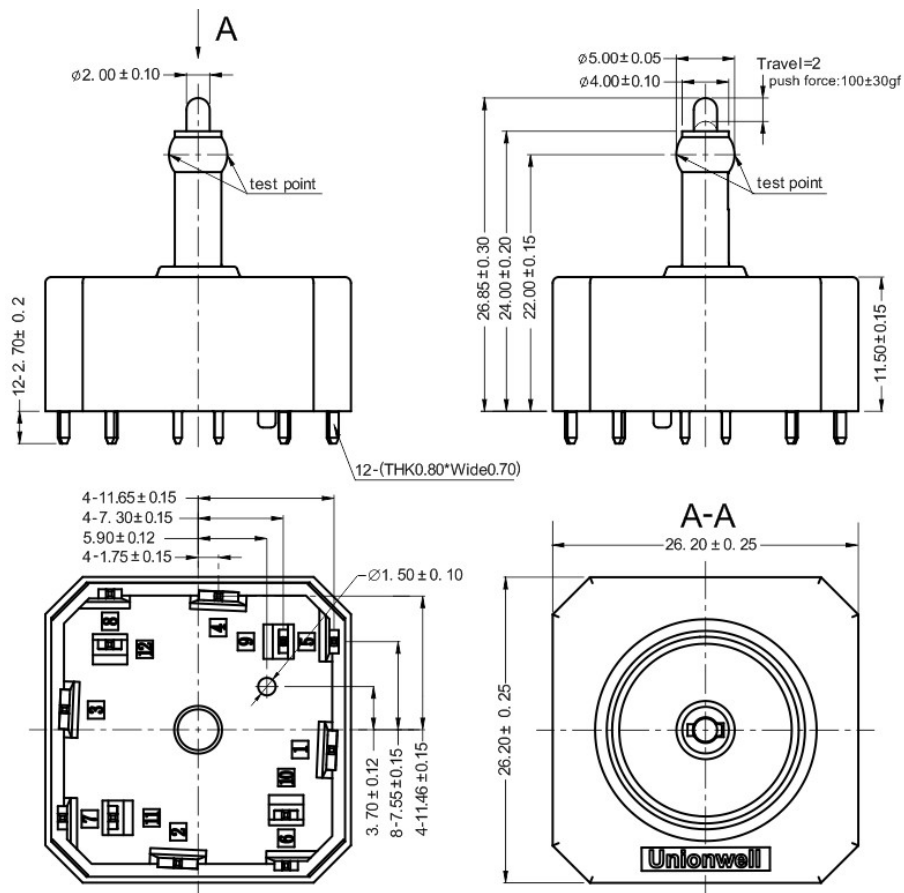
Operating Frequency		10 cycles/minute
Initial Contact Resistance		20mΩ Max
Insulation Resistance		100mΩ Min
Resistance Voltage	Between Insulated Terminals	AC500V (50~60HZ) , Leak Current 10ms, 60±5s
	Between Terminals and Housing	AC1000V (50~60HZ) ,Leak Current 10ms, 60±5s
Life Expectancy	Electrical	15A 14VDC 30,000 Cycles
	Mechanical	50,000 Cycles
Protection Level		IP67(exposed terminals excepted)
Operating Temperature		-40 ~ +85°C
Operating Humidity		<95%RH (+5 ~ +35°C)

■ G19 Series Switch Ordering Instruction

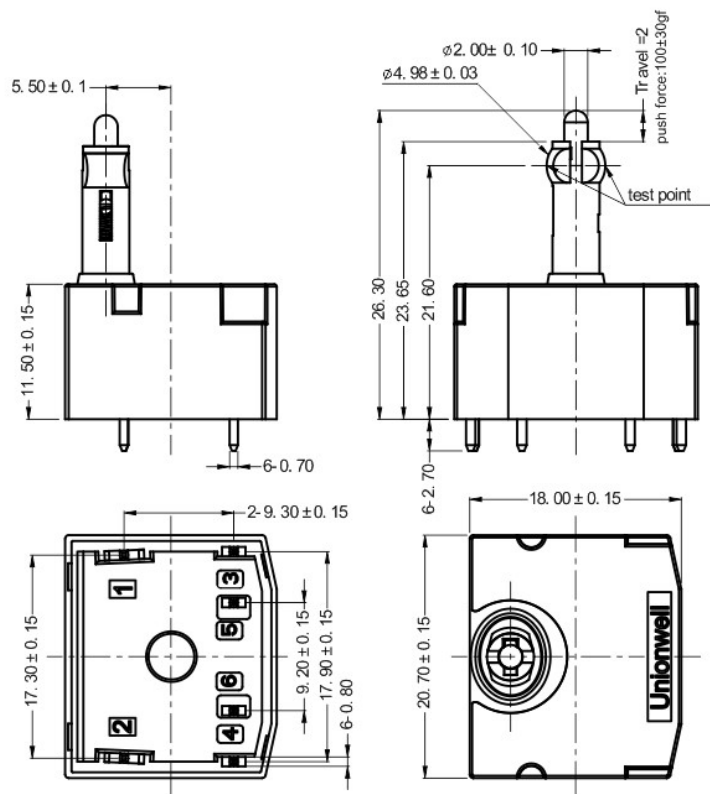
G19	15	4	M	R	A	1	A	A	T001
Series	Rating	Operating Direction	Stick Position	Stick Shape	Operating Position Height	Pre-press Button	Circuit	Protection Level	Customized Code
15	15A 14VDC	2 2-Way 4 4-Way	M Central L Left	R Round S Square	A 22mm (Only for 4-Way Switch) B 21.6mm (Only for 2-Way Switch) C 25.6mm (Only for 2-Way Switch)	0 No Button 1 With Pre-press Button	A SPDT B SPST-NC C SPST-NO	A IP67 B IP4X	T001 Custom 1 ... others

■ Dimensions (mm)

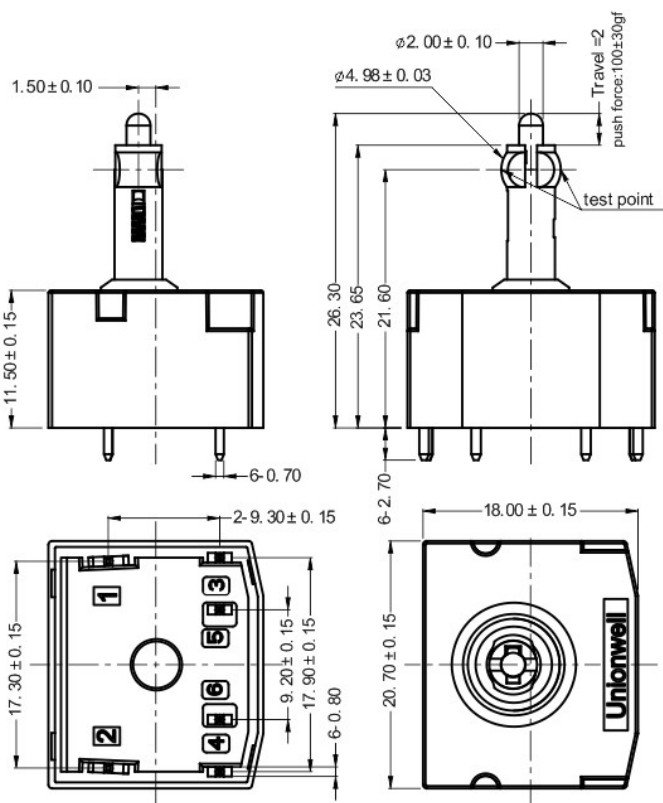
◆ 4-Way Switch (Operating Stick Height 22mm)



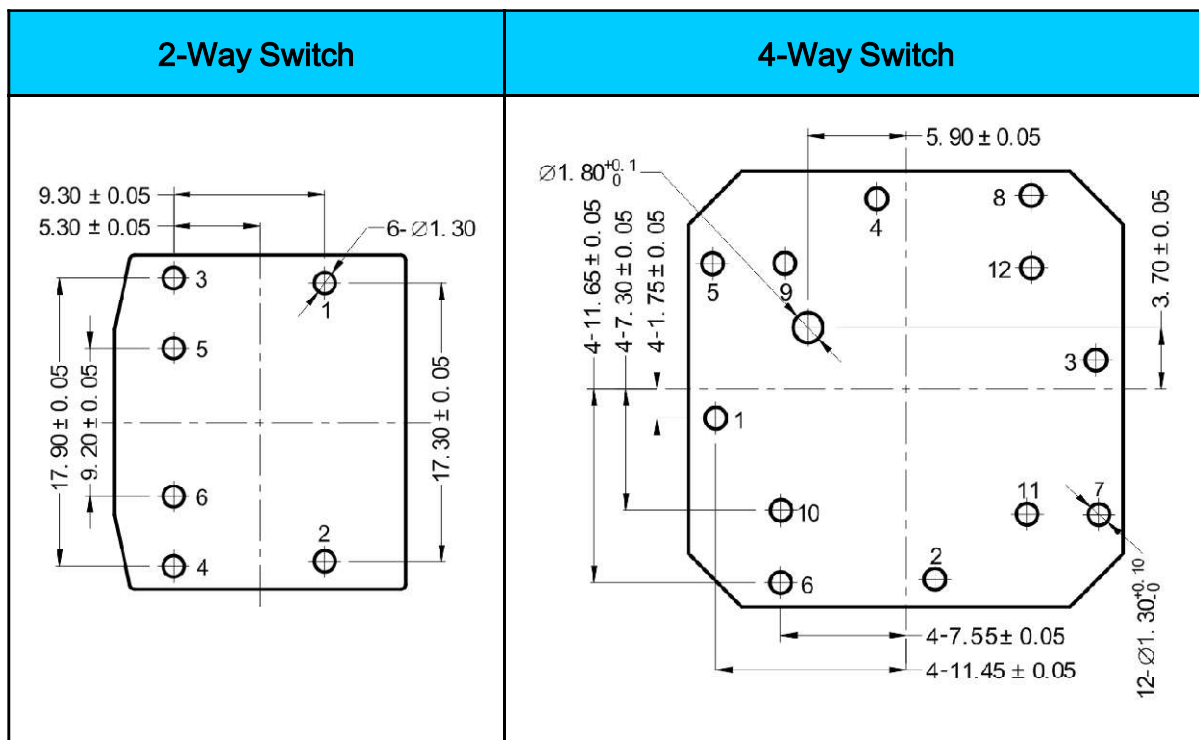
◆ 2-Way Switch with Left Side Stick (with two options for operating position height-21.6mm or 25.6mm)



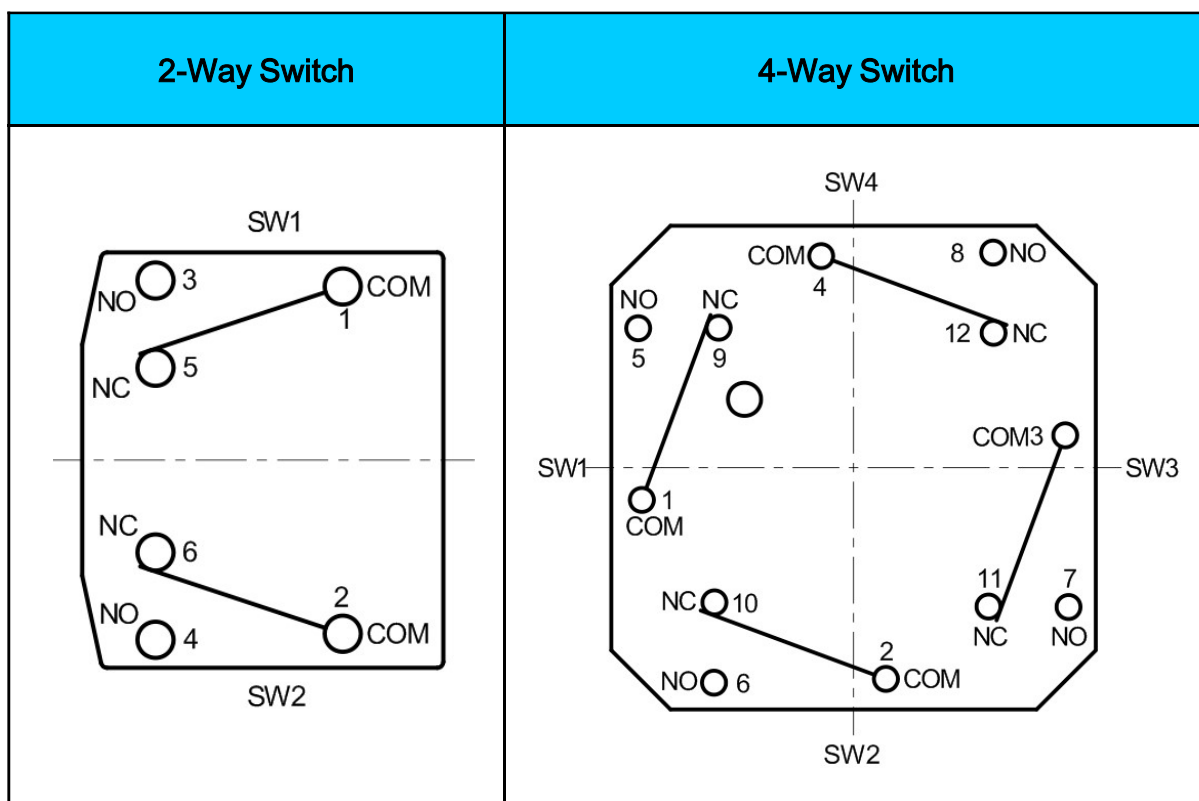
◆ 2-Way Switch with Central Stick (with two options for operating position height-21.6mm or 25.6mm)



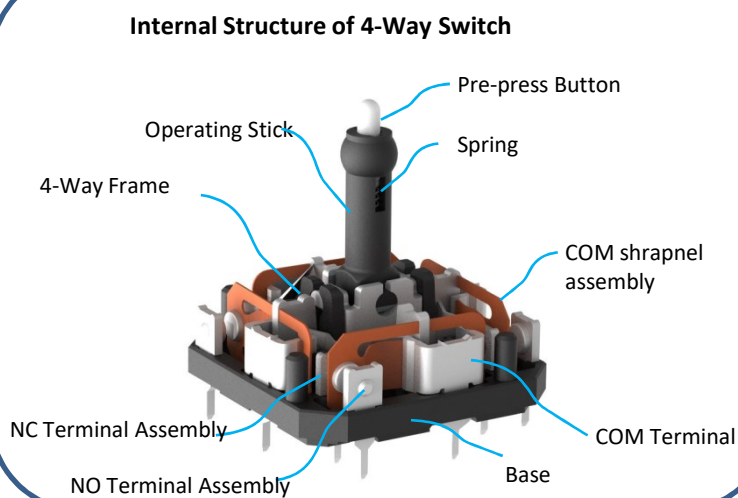
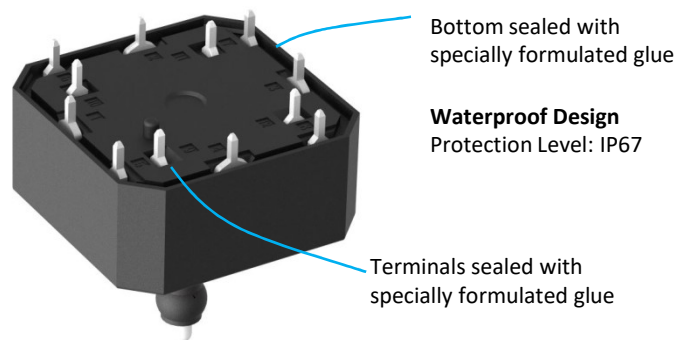
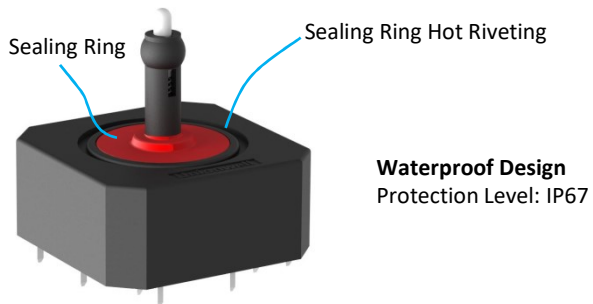
■ Mounting Dimensions



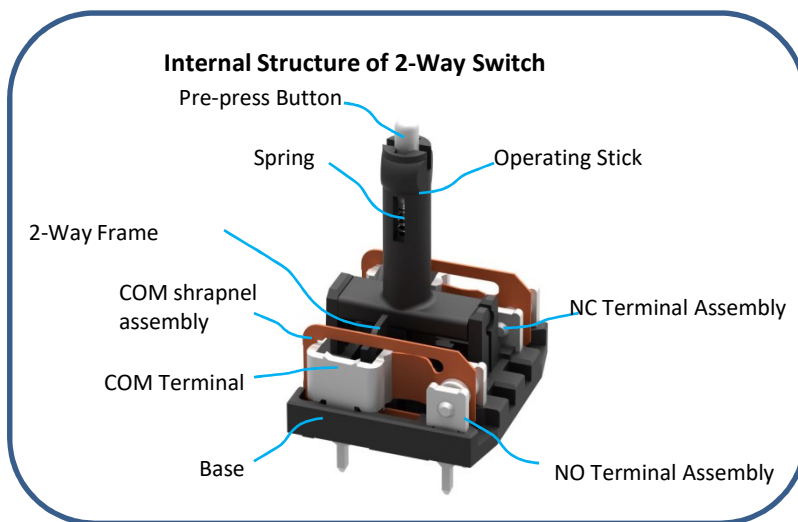
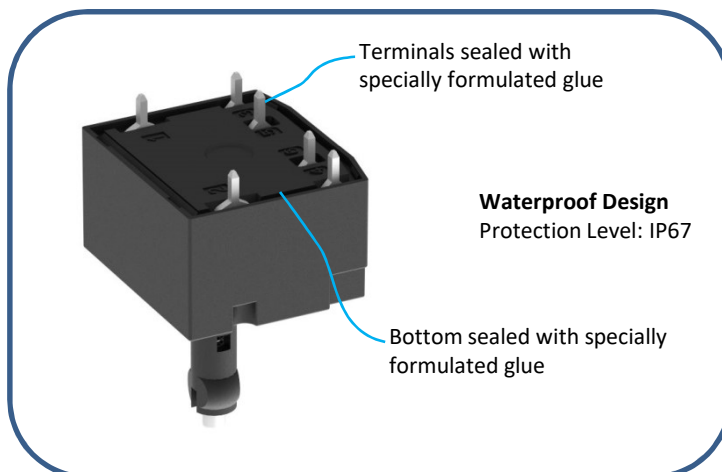
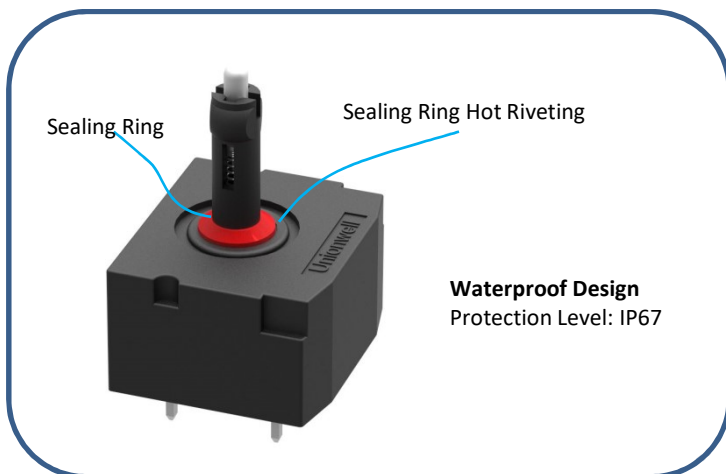
■ Circuit Configuration



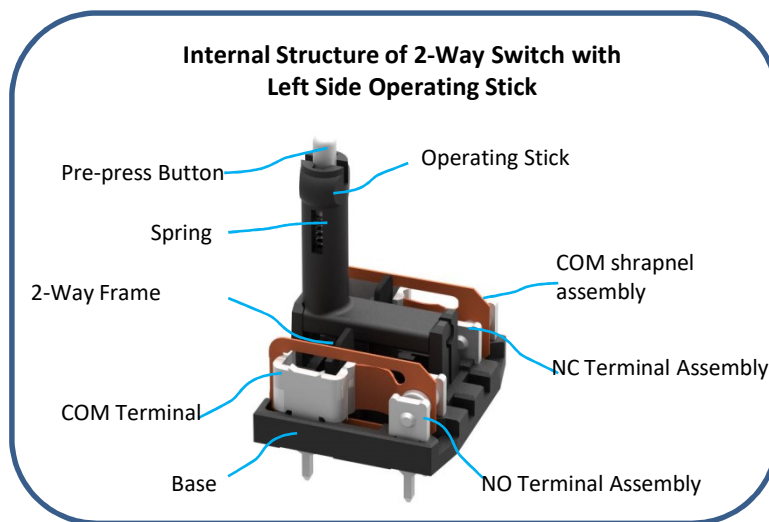
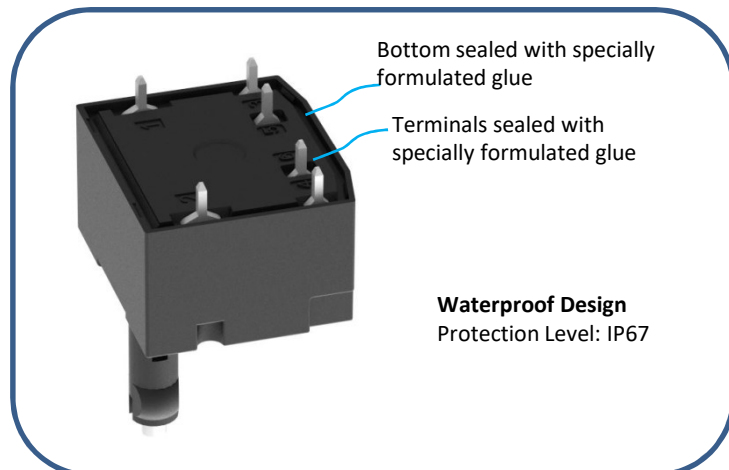
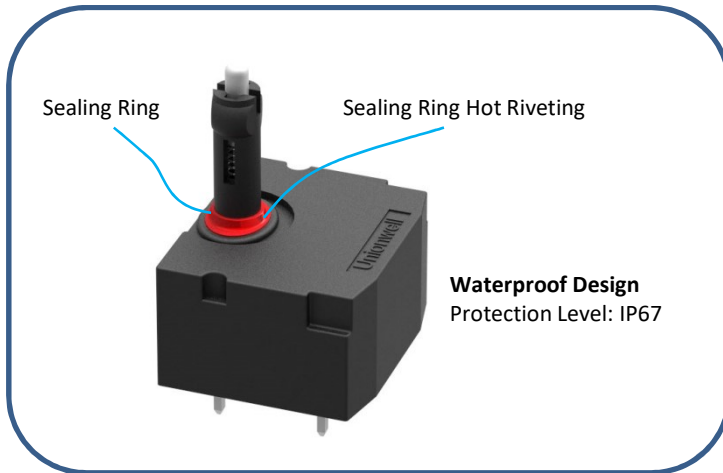
■ Instruction of G19 Series 4-Way Seat Adjustment Switch



■ Instruction of G19 Series 2-Way Seat Adjustment Switch with Central Stick



■ Instruction of G19 Series 2-Way Seat Adjustment Switch with Left Operating Stick



■ Operating Characteristics

Stick Code	Stick Height	Stick Assembly Dimensions	Operating Parameters								
A	22mm		<table border="1"> <tr> <td>Part No.</td> <td>G19-154MRA1AA</td> </tr> <tr> <td>Operating Force (OF)</td> <td>700gf Max</td> </tr> <tr> <td>Operating Position (OP)</td> <td>1.2±0.4 mm</td> </tr> <tr> <td>Total Travel Position (TTP)</td> <td>2.5mm</td> </tr> </table>	Part No.	G19-154MRA1AA	Operating Force (OF)	700gf Max	Operating Position (OP)	1.2±0.4 mm	Total Travel Position (TTP)	2.5mm
			Part No.	G19-154MRA1AA							
			Operating Force (OF)	700gf Max							
			Operating Position (OP)	1.2±0.4 mm							
Total Travel Position (TTP)	2.5mm										
B	21.6mm		<table border="1"> <tr> <td>Part No.</td> <td>G19-152MRB1AA</td> </tr> <tr> <td>Operating Force (OF)</td> <td>700gf Max</td> </tr> <tr> <td>Operating Position (OP)</td> <td>1.0 ± 0.4mm</td> </tr> <tr> <td>Total Travel Position (TTP)</td> <td>2.0mm</td> </tr> </table>	Part No.	G19-152MRB1AA	Operating Force (OF)	700gf Max	Operating Position (OP)	1.0 ± 0.4mm	Total Travel Position (TTP)	2.0mm
			Part No.	G19-152MRB1AA							
			Operating Force (OF)	700gf Max							
			Operating Position (OP)	1.0 ± 0.4mm							
Total Travel Position (TTP)	2.0mm										
C	25.6mm		<table border="1"> <tr> <td>Part No.</td> <td>G19-152MRC1AA</td> </tr> <tr> <td>Operating Force (OF)</td> <td>600gf Max</td> </tr> <tr> <td>Operating Position (OP)</td> <td>1.3±0.4mm</td> </tr> <tr> <td>Total Travel Position (TTP)</td> <td>2.5mm</td> </tr> </table>	Part No.	G19-152MRC1AA	Operating Force (OF)	600gf Max	Operating Position (OP)	1.3±0.4mm	Total Travel Position (TTP)	2.5mm
			Part No.	G19-152MRC1AA							
			Operating Force (OF)	600gf Max							
			Operating Position (OP)	1.3±0.4mm							
Total Travel Position (TTP)	2.5mm										

■ Operating Characteristics

Stick Code	Stick Height	Stick Assembly Dimensions	Operating Parameters								
B	21.6mm		<table border="1"> <tr> <td>Part No.</td> <td>G19-152LRB1AA</td> </tr> <tr> <td>Operating Force (OF)</td> <td>700gf Max</td> </tr> <tr> <td>Operating Position (OP)</td> <td>1.0 ± 0.4mm</td> </tr> <tr> <td>Total Travel Position (TTP)</td> <td>2.0mm</td> </tr> </table>	Part No.	G19-152LRB1AA	Operating Force (OF)	700gf Max	Operating Position (OP)	1.0 ± 0.4mm	Total Travel Position (TTP)	2.0mm
			Part No.	G19-152LRB1AA							
			Operating Force (OF)	700gf Max							
			Operating Position (OP)	1.0 ± 0.4mm							
			Total Travel Position (TTP)	2.0mm							
Operating Force (OF)	700gf Max										
Operating Position (OP)	1.0 ± 0.4mm										
Total Travel Position (TTP)	2.0mm										
C	25.6mm		<table border="1"> <tr> <td>Part No.</td> <td>G19-152LRC1AA</td> </tr> <tr> <td>Operating Force (OF)</td> <td>600gf Max</td> </tr> <tr> <td>Operating Position (OP)</td> <td>1.3 ± 0.4mm</td> </tr> <tr> <td>Total Travel Position (TTP)</td> <td>2.5mm</td> </tr> </table>	Part No.	G19-152LRC1AA	Operating Force (OF)	600gf Max	Operating Position (OP)	1.3 ± 0.4mm	Total Travel Position (TTP)	2.5mm
			Part No.	G19-152LRC1AA							
			Operating Force (OF)	600gf Max							
			Operating Position (OP)	1.3 ± 0.4mm							
			Total Travel Position (TTP)	2.5mm							
Operating Force (OF)	600gf Max										
Operating Position (OP)	1.3 ± 0.4mm										
Total Travel Position (TTP)	2.5mm										

■ Application

➤ The application of car seat adjustment switches:

An automotive electric seat consists of parts including 2-way motor, transmission device and seating adjuster etc. The 2-way motor helps accomplish the forward/backward, up/down or other adjustments of seat, all the functions mentioned above are achieved through the operation on car seat adjustment switches.

