

## GT06 Mechanical Keyboard Switch-4mm Travel



### ■ Features

- Desktop profile, 0.60 inch (15.2mm) from PCB (no keycap)
- Choice of free: linear, soft tactile, clicktactile
- Frame mount
- Long life up to 80 million operation cycles
- Light guide column light guide, switch light soft not dazzling
- 12V AC/DC Maximum
- Current Rating: 10mA
- Insulation Resistance: <math><100M\Omega</math> under 100VDC

### ■ Applications

Mainly applied in computer keyboards, Cash registers, Industrial equipment and Man-Machine interfaces

### ■ Specification and Parameters

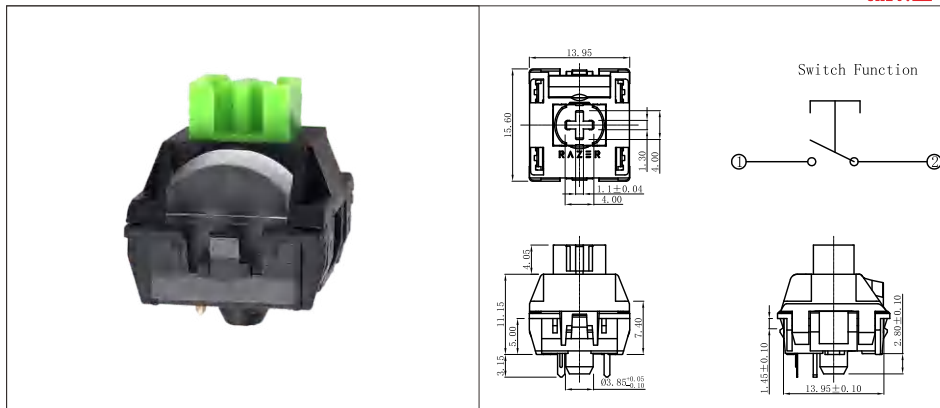
Electrical Characteristics	Rating	12 VDC/AC Max, 10mA AC/DC Max
	Contact Resistance	200m $\Omega$ Max (25m $\Omega$ typical) (Initial Value)
	Insulation Resistance	100M $\Omega$ Min
	Voltage Resistance	AC 500V (50-60Hz) 1Minute
	Electrical life	Over 80, 000, 000 cycles (Load)
	Bounce Time	5 msec (Operation speed at 400mm/sec)
Mechanical Characteristics	Operating Force	See Detail Spec
	Pre-travel	2.0 $\pm$ 0.4mm
	Total Travel	4.0 $^{+0}_{-0.3}$ mm
	Mechanical Life	Over 80, 000, 000 cycles (No Load)
	Operating Temperature Range	-40 $^{\circ}$ C ~ +80 $^{\circ}$ C
	Ambient Humidity	$\leq$ 85%RH

## GT06 Series Keypad Ordering Instruction

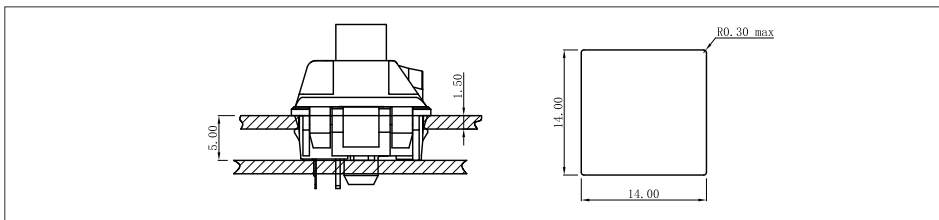
GT06	A	1	A	N	W
Switch Type	Contact material	Code of operating force	Operating Characteristics, and Key Style	LED Diode	PCB mounting pins
GT06 GT06 Series Keypad	A Au Alloy	1 0F=60±20gf	A Momentary, single pole, standard keyswitch, linear, black key stem	N Single color	W With pins
	B Ag Alloy	2 0F=80±25gf	B Momentary, single pole, standard keyswitch, soft tactile brown key stem	F Full color RGB	N Nopins (with metal frame)
	R Customer Special	3 0F=120±25gf	D Momentary, single pole, Click tactile feel, blue key stem	T SMT LED	
	...		E Momentary, single pole, standard keyswitch, linear, red key stem	... Others	

### ■ Dimensions

Unit:mm



### ■ Mounting Options



### ■ Circuit Board Layouts

◆ Keypad without fixation pins

Griddle line spacing=1.27mm

