

GT08-Ultrathin Mechanical Keyboard Switch-1.6mm Travel



■ Features

- With tactile sound or smooth mute for selection
- Feel smooth and natural, no touch key angle card lag phenomenon
- Life can reach more than 10 million times
- Can be equipped with RGB-LED lights added colorful backlight
- Patent products, the world's first

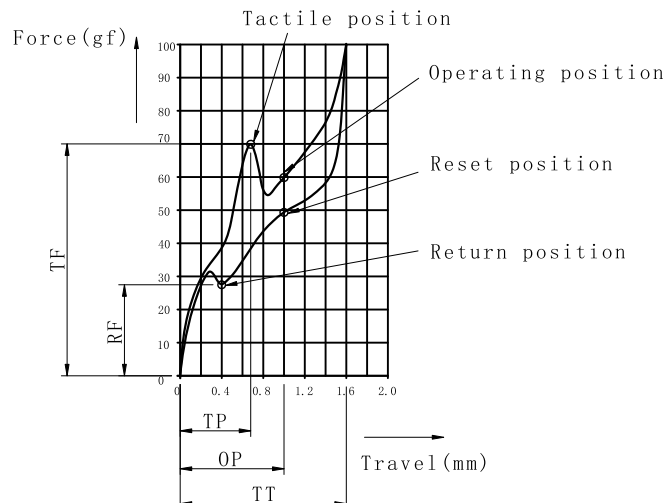
■ Applications

Notebook computer keyboards

■ Specification and Parameters

| | | |
|---------------------------|--|---|
| Electical Characteristics | Rating | 12V DC/AC Max. 10mA AC/DC max |
| | Initial Contact Resistance | 200mΩMax |
| | Insulation Resistance | 100mΩMin |
| | Voltage Resistance | AC 100V (50-60Hz) 1 Minute |
| | Electrical Life | Over20, 000, 000 cycles (Load) |
| | Bounce Time | (operation speed at <math><400\text{mm/sec}</math>) |
| Parameters | Tactile Force (TF) | $70 \pm 15\text{gf}$ |
| | Tactile Position (TP) | $0.65 \pm 0.2\text{mm}$ |
| | Operating Position (OP) | $(TP \pm 0.05) \leq OP \leq 1.2\text{mm}$ |
| | Total Travel (TT) | $1.6 \pm 0.3\text{mm}$ |
| | Return Force (RF) | RF=20gf Min |
| | Mechanical Life | Over 10, 000, 000 Cicles (NO Load) |
| | Operating Temperature Range | $-40^{\circ}\text{C} \sim +80^{\circ}\text{C}$ |
| | Ambient Humidity | $\leq 85\%RH$ |
| Hand soldering Condition | 3Sec Max. $360^{\circ}\text{C} \pm 10^{\circ}\text{C}$ | |

■ Travel-force curve

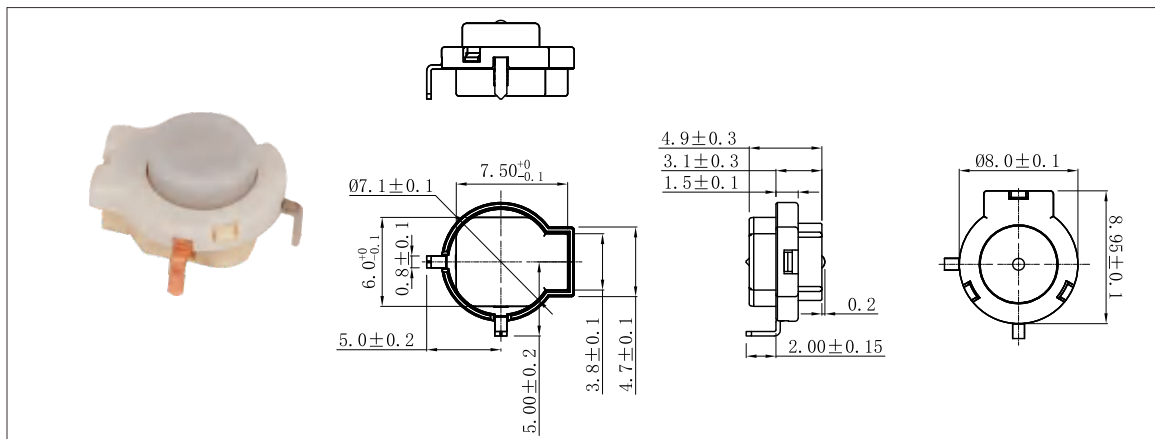


GT08 Series Keypad Switch Ordering Instruction

| GT08 | A | | 1 | | C | | N | | P | | A1 | | | | | | | | | | | |
|---------------------|---------------|-------|-------------------------|---|--|------------|-----------|---|--|--|-----------------------------|---|---|------------------|----------|---|----|-----------|---------------------|----|--|--|
| GUANTAI Switch Type | Keypad Height | | Code of Operating Force | | Operating Characteristics and Key Stem Style | | LED Diode | | Mounting Options | | Special requirements travel | | | | | | | | | | | |
| | A | 4.9mm | | 1 | | OF=70±15gf | | A | | single pole, standard type, black key stem | | N | | No LED, No Diode | | P | | With pins | | A1 | | The switch on stroke is less than 0.95mm |
| B | Other | | 2 | | Other | | C | | single pole, tactile feel, sound, white translucent key stem | | | | S | | Suitable | | A2 | | Other to be defined | | | |

■ Dimensions

Unit:mm



■ Circuit Board Layouts

