



G303A/B Series

Mini Sealed Micro Switch

■ Features

- Designed for water and dust tight(IP67)
- Small Copact Size
- Global safety approved,customer designs
- Long range and high reliability
- Wide range of wiring terminals
- Variety of levers
- Widely used in automotive electronics
appliance and industrial control
- Variety of shapes

■ Application

- ◆ Car
- ◆ Electric tool brush
- ◆ Air-Conditioner
- ◆ Toys
- ◆ Communication
- ◆ Bicycle

■ Parameters

Rating		0.1A/125VAC;3A/12VDC;0.1A/250VAC;0.1A/48VDC II 1E5.
Operating Frequency	Electrical	0.1A-120cycles/minute; 3A-10-30cycles/minute
	Mechanical	120cycles/minute
Contact Resistance(Initiative)		100mΩ Max
Insulation Resistance(at 500VDC)		100mΩ Min
Vibration durability		10~55Hz,move 0.75mm(p-p)
Dielectric Strength		500VAC(50~60Hz)
Storage Temperature		-40 °C~+85°C
Storage Humidity		85%RHMax
Service Life	Electrical	100,000 cycles
	Mechanical	Min.500,000 cycles

■ Switch IP rated

G303A IP67



G303B IP40



G303A/B Series Micro Switch Ordering Instruction

G3	03	A	180	K	00	A	20	A	E	A	280	T00X
Switch Type	Electrical Rating	Switch Protection Level	Operating Force at pin plunger, Max	Terminal Style	Lever Type	Circuit Code	Shape and Posts	Posts Dimension	AWG Type (for Wire type only)	AWG Number (for Wire type only)	Wires length	Custom code
G3 Series Micro-Switch	00 0.1A/125/250VAC 48VDC; 3A12VDC IITE5	A IP67	180 180gf/Max	E Molded lead wires downwards	00 No lever Pin Plunger	A SPST	20 Waterproof two sides posts	A No Post	No molded lead wires	No molded lead wires	300mm length standard lead wires	General
		B IP40	130 130gf/Max	G Molded lead wires on left side (plunger side)	03 03#straight lever	B SPST-NC	21 C2 type no post	B $\phi 2.95 \times 5.0$ mm posts	E 20# (Only for the bottom Outlet switch)	A UL1007	280 280mm length	T00X Custom code
			F Molded lead wires on right side (plunger side)	38 38#lever	C SPST-NO	22 C2 type Left posts	C $\phi 2.95\text{mm} \times 1.5$ mm posts	F 22#	F AVSS	... Other	... Other	
			K Long solder terminals	... Other		23 C2 type right posts	-- Other	G 24#	L FLRY-A			
			I Big Solder terminals			24 dustproof no post		-- Other	-- Other			
			P Straight PCB terminals (0.9mm width)			25 D2 type left side posts						
			R Right side PCB terminals			26 D2 type right side posts						
			L Left side PCB terminals			27 D2 type two side posts						
			J Long straight PCB terminals			-- Other						
			C 2#long solder terminals									
			D 2#straight PCB terminals (0.6mm width)									
			S Solder terminals									
			-- Other									

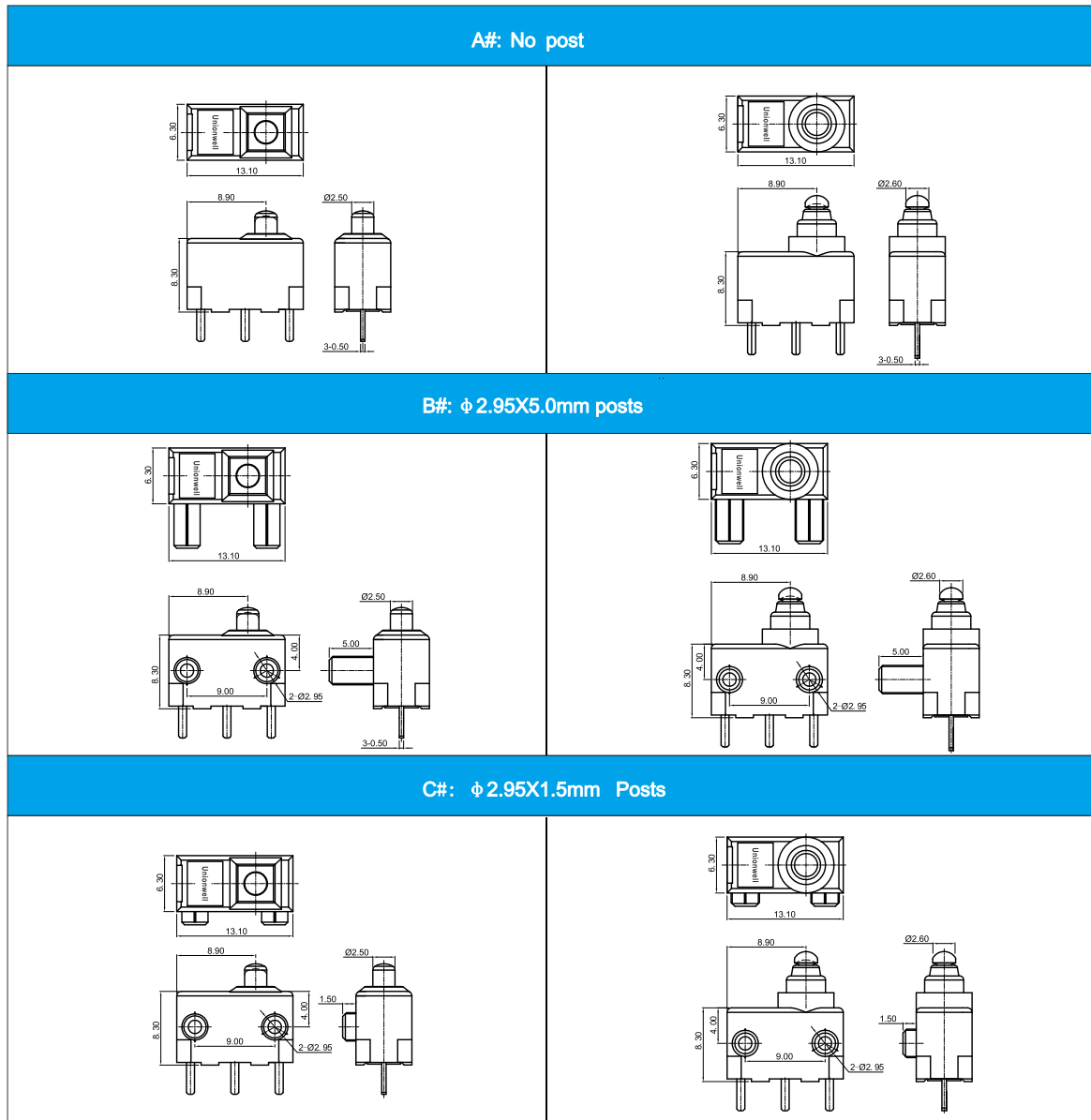
Terminal Style

E#: Wires leads to bottom	I#: Solder Terminals	G#: Wires leads to plunger side
P#: Straight PCB Terminals	K#: Long Solder Terminals	F#: Wires leads to opposite to plunger side
J#: Left and right straight PCB terminals	C#: 2 # Long Solder terminals	D#: Straight PCB Terminals

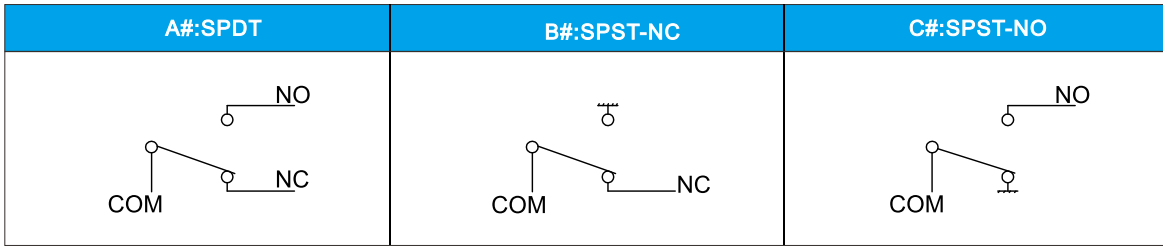
Lever Type

03#: lever	38#: lever

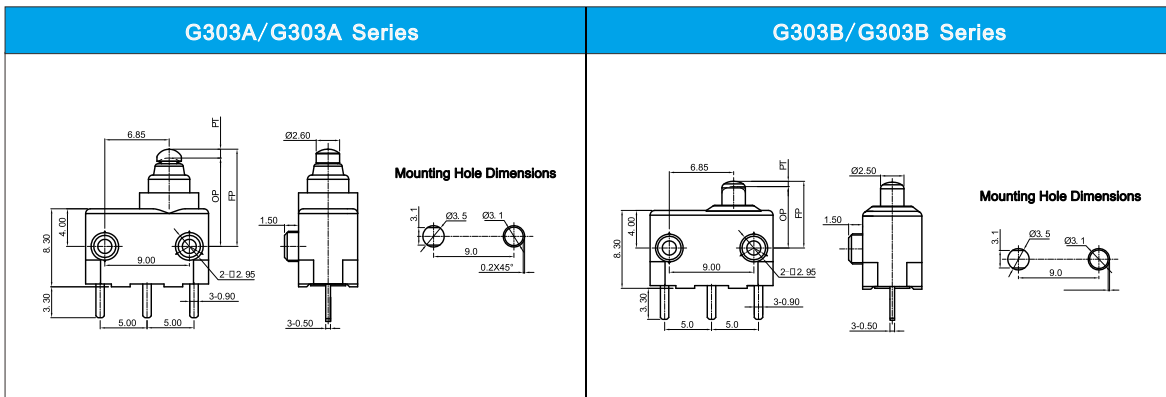
■ Posts Dimension



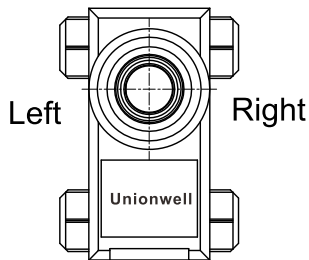
■ Circuit Configuration



■ Mounting Hole and Operating Characteristics

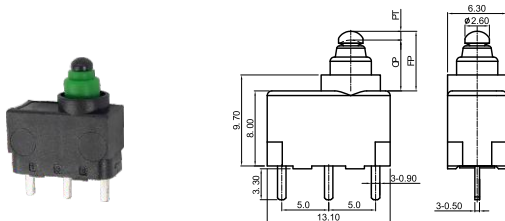


■ Posts direction define



■ Dimensions and Operating Characteristics

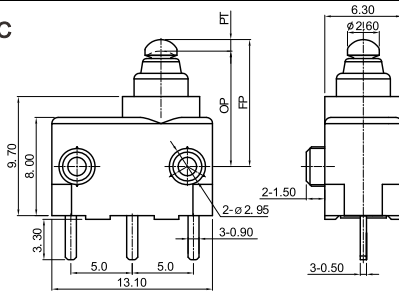
◆ G303A-180P00A21A



OF Max. (gf)	RF Min. (gf)	PT Max. (mm)	OT Min. (mm)	DT Max. (mm)	FP Max. (mm)	OP (mm)
-180	180	20	1.5	0.7	0.4	6.35
						5.4±0.3

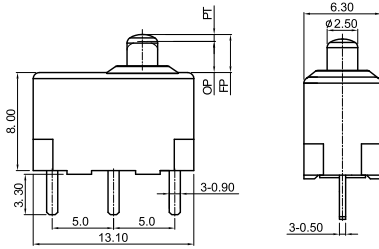
■ **Dimensions and Operating Characteristics**

◆ **G303A-180P00A23C**



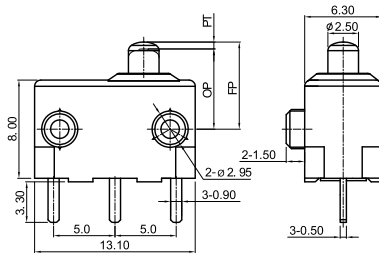
OF Max. (gf)	RF Min. (gf)	PT Max. (mm)	OT Min. (mm)	DT Max. (mm)	FP Max. (mm)	OP (mm)
-180	180	20	1.5	0.7	0.4	10.35
						9.4 ± 0.3

◆ **G303B-130P00A24A**



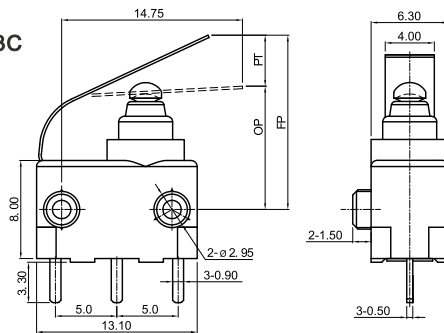
OF Max. (gf)	RF Min. (gf)	PT Max. (mm)	OT Min. (mm)	DT Max. (mm)	FP Max. (mm)	OP (mm)
-130	130	8	1.5	0.7	0.4	3.3
						2.2 ± 0.3

◆ **G303B-130P00A26C**



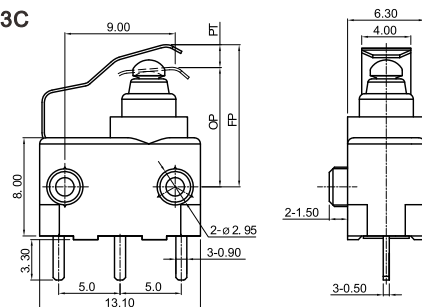
OF Max. (gf)	RF Min. (gf)	PT Max. (mm)	OT Min. (mm)	DT Max. (mm)	FP Max. (mm)	OP (mm)
-130	130	8	1.5	0.7	0.4	7.3
						6.2 ± 0.3

◆ **G303A-180P03A23C**



OF Max. (gf)	RF Min. (gf)	PT Max. (mm)	OT Min. (mm)	DT Max. (mm)	FP Max. (mm)	OP (mm)
-180	250	50	5.5	0.7	1.1	14
						10.7 ± 1.5

◆ **G303A-180P38A23C**



OF Max. (gf)	RF Min. (gf)	PT Max. (mm)	OT Min. (mm)	DT Max. (mm)	FP Max. (mm)	OP (mm)
-180	250	50	2	0.7	1.1	12
						9.9 ± 1.2